



GIA REPORT 16899843

March 20, 2008

Shape and Cutting Style **Round Brilliant**
Measurements **6.04-6.11 x 3.99 mm**

Carat Weight **0.96 carat**
Color
Origin **NATURAL**
Grade **FANCY DARK**
..... **ORANGY BROWN**
Distribution **Even**
Clarity Grade **VVS2**

Finish
Polish **Good**
Symmetry **Good**
Fluorescence **None**
Comments:
Internal graining is not shown.

CLARITY SCALE

FLAWLESS
INTERNALLY
FLAWLESS

VVS₁

VVS₂

VS₁

VS₂

S₁

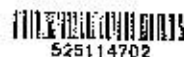
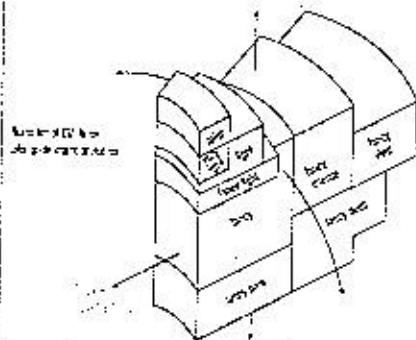
S₂

I₁

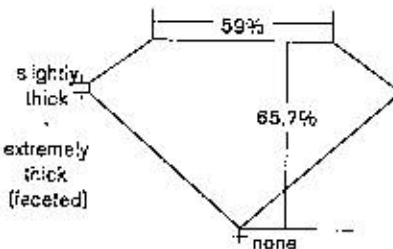
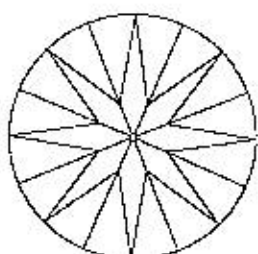
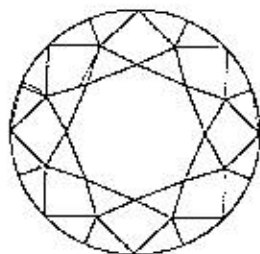
I₂

I₃

**COLORLED
DIAMOND
SCALE**



525114702



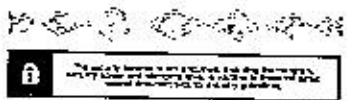
Profile not to actual proportions.

KEY TO SYMBOLS

- Cloud
- Natural
- Extra Facet

Red symbols denote internal characteristics (inclusions). Green or black symbols denote external characteristics (blemishes). Diagram is an approximate representation of the diamond, and symbols show inclusions, blemishes, and approximate size of clarity characteristics. All clarity characteristics may not be shown. Details of inclusions are not shown.

This report is not a guarantee, warranty or contract and contains only the characteristics of the diamond described herein which may not exactly have been measured and analyzed by the GIA Laboratory and may have occurred since the information was reported and by the GIA Laboratory at the time of the certificate and/or analysis. Descriptions herein are the closest to the actual appearance of the diamond as it appears to the eye in normal light. The stone may be resawn or resawned, or may be broken, and a report which is issued by GIA may not be identical to the stone. The report in this report may also include a computerized picture of the diamond which is not shown here.



IMPORTANT LIMITATIONS ON BACK
©2007 GEMOLOGICAL INSTITUTE OF AMERICA, INC.