



**COLORED DIAMOND GRADING REPORT**

October 20, 2008

Shape and Cutting Style ..... **Oval Brilliant**  
Measurements ..... **6.31 x 4.30 x 2.77 mm**

GIA REPORT 1102248071

Carat Weight ..... **0.50 carat**  
Color .....  
Origin ..... **NATURAL**  
Grade ..... **FANCY INTENSE**  
..... **BLUE**  
Distribution ..... **Even**  
Clarity Grade ..... **SI2**

**FINISH AND CUTTING QUALITY**

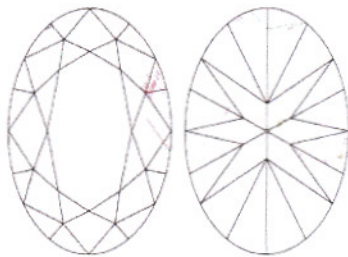
**Finish**

Polish ..... **Good**  
Symmetry ..... **Good**  
Fluorescence ..... **None**

**Comments:**

Crown angles are greater than 40 degrees.

**EXTERNAL CHARACTERISTICS**



**KEY TO SYMBOLS**

- Feather
- Cavity
- Indented Natural
- Natural
- Extra Facet

Red symbols denote internal characteristics (inclusions). Green or black symbols denote external characteristics (blemishes). Diagram is an approximate representation of the diamond, and symbols shown indicate type, position, and approximate size of clarity characteristics. All clarity characteristics may not be shown. Details of finish are not shown.

**GIA CLARITY SCALE**

FLAWLESS  
INTERNALLY  
FLAWLESS

VVS<sub>1</sub>

VVS<sub>2</sub>

VS<sub>1</sub>

VS<sub>2</sub>

SI<sub>1</sub>

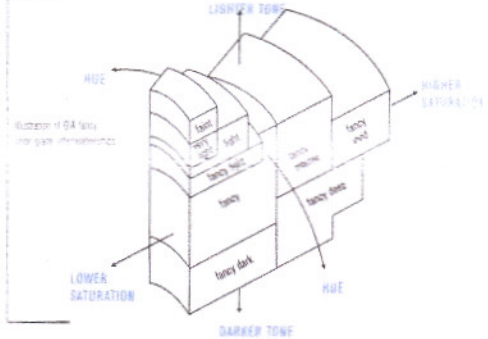
SI<sub>2</sub>

I<sub>1</sub>

I<sub>2</sub>

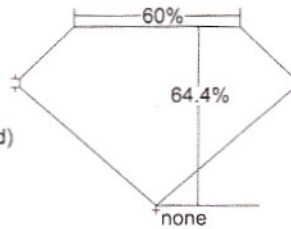
I<sub>3</sub>

**GIA COLORED DIAMOND SCALE**



210500178673

very thin - thick (faceted)



Profile not to actual proportions

This Report is not a guarantee, valuation or appraisal and contains only the characteristics of the diamond described herein after it has been graded, tested, examined and analyzed by the laboratory providing this Report ("GIA") and/or has been inscribed using the techniques and equipment used by GIA at the time of the examination and/or inscription. Inscriptions reported in this document are not a guarantee, validation, or warranty of a diamond's quality, country of origin or source, or that the diamond will be identifiable by the inscription in the future (since inscriptions can be removed). GIA makes no representation concerning any trademark, word or symbol which is inscribed by GIA or which is identified on this Report. The recipient of this Report may wish to consult a credentialed jeweler or gemologist about the information contained herein.



The security features in this document, including the hologram, security seal and microprint lines, in addition to those not listed, exceed document security industry guidelines.

**IMPORTANT LIMITATIONS ON BACK**  
©2008 GEMOLOGICAL INSTITUTE OF AMERICA, INC.